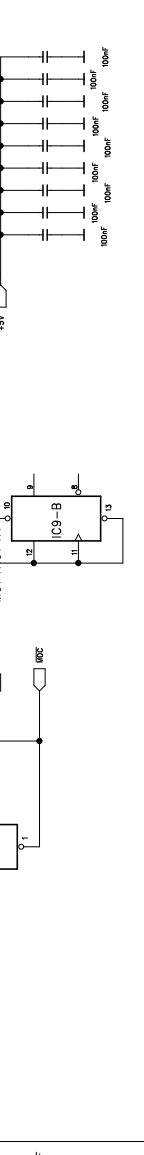


Project: Shareware Controller - 1	
Part: Kustaa Nyholm	PCB name: SC-1
Date: 17.5.2003	PCB revision: 1/11
Checked: _____	Drawn: _____
Approved: _____	Comments / Notes: MCU + FLASH + RAM
Sheet number: 1/1	Sheet total: 1/1



1 2 3 4 5 6 7 8 9

A B C D E F

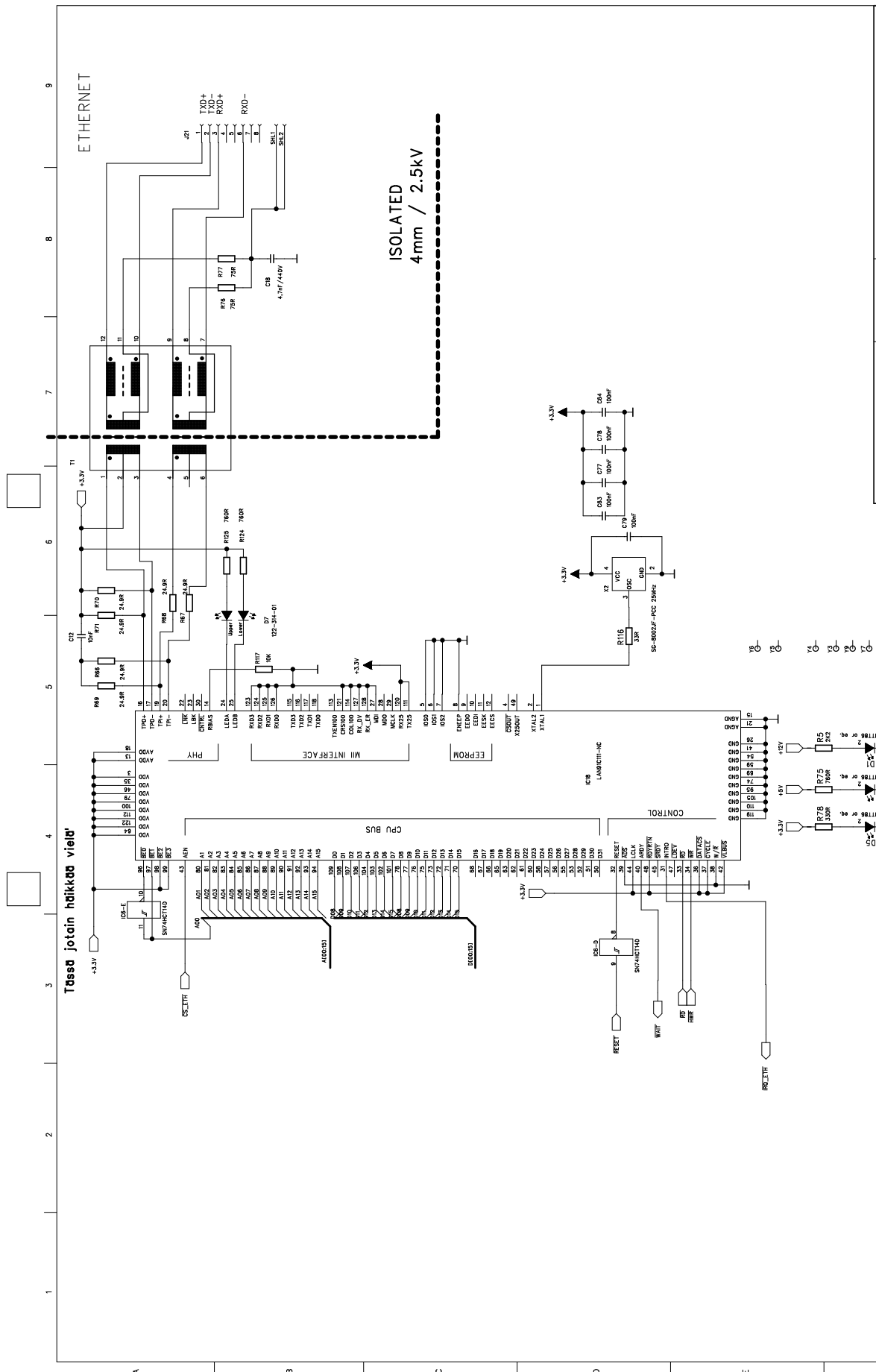
MOD: HUISTER MODE, O-HOUST MODE
 MOD: HROM ENABLED, O-HROM DISABLED
 MOD: H8BS DISABLED, O-H8BS ENABLED

CLOCKS 20MHZ

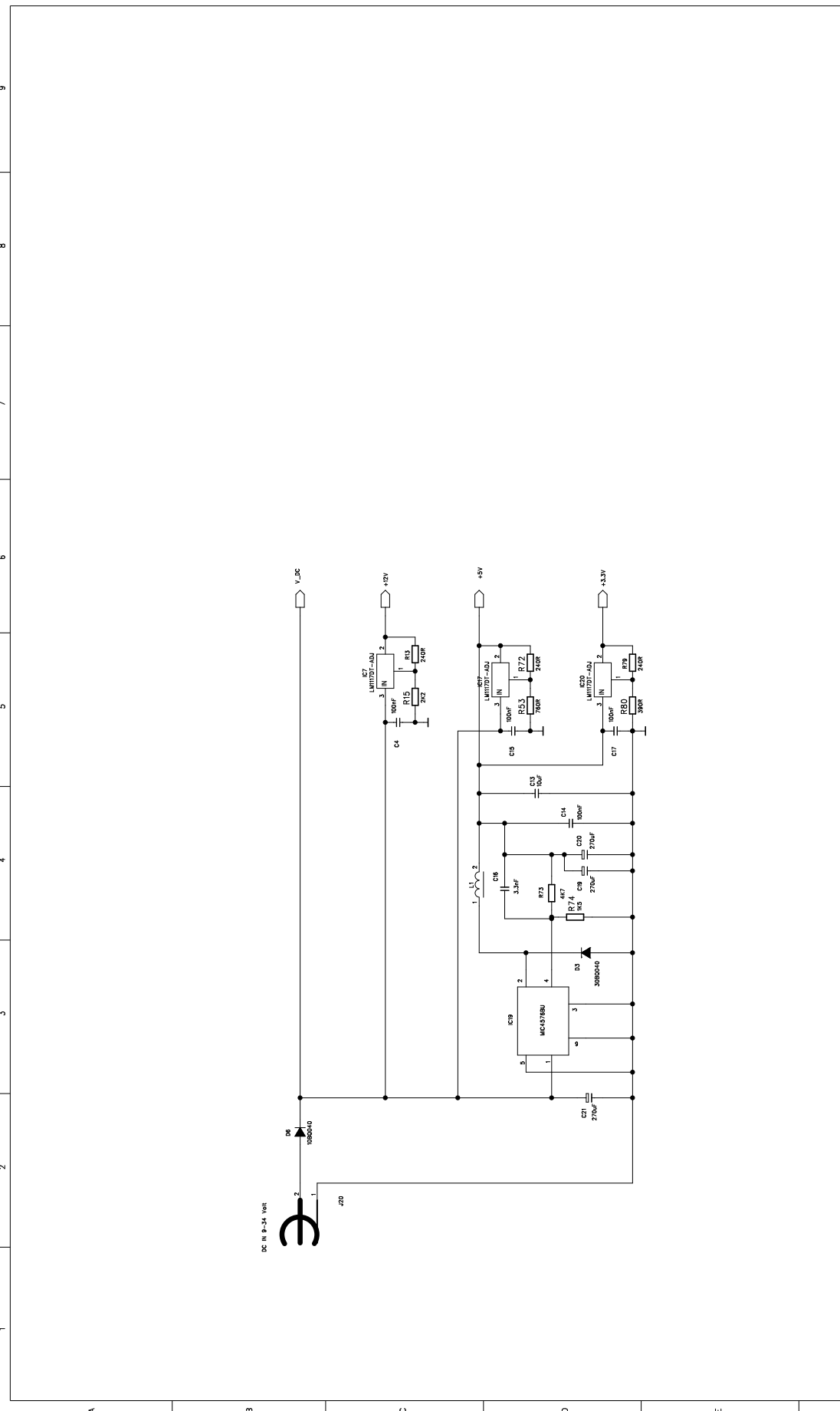
MC74HC74A

MC74HC74A

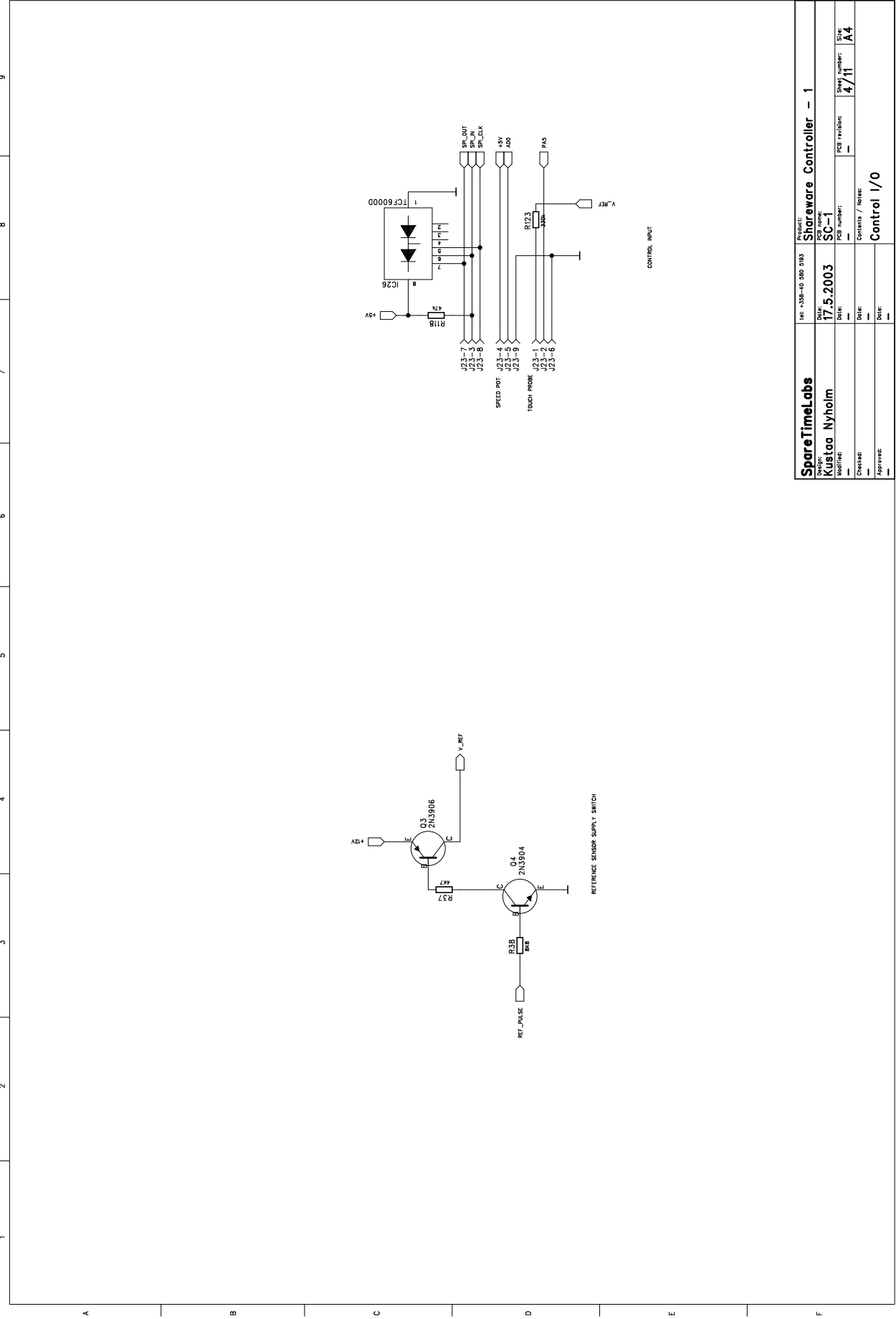
MC74HC74A



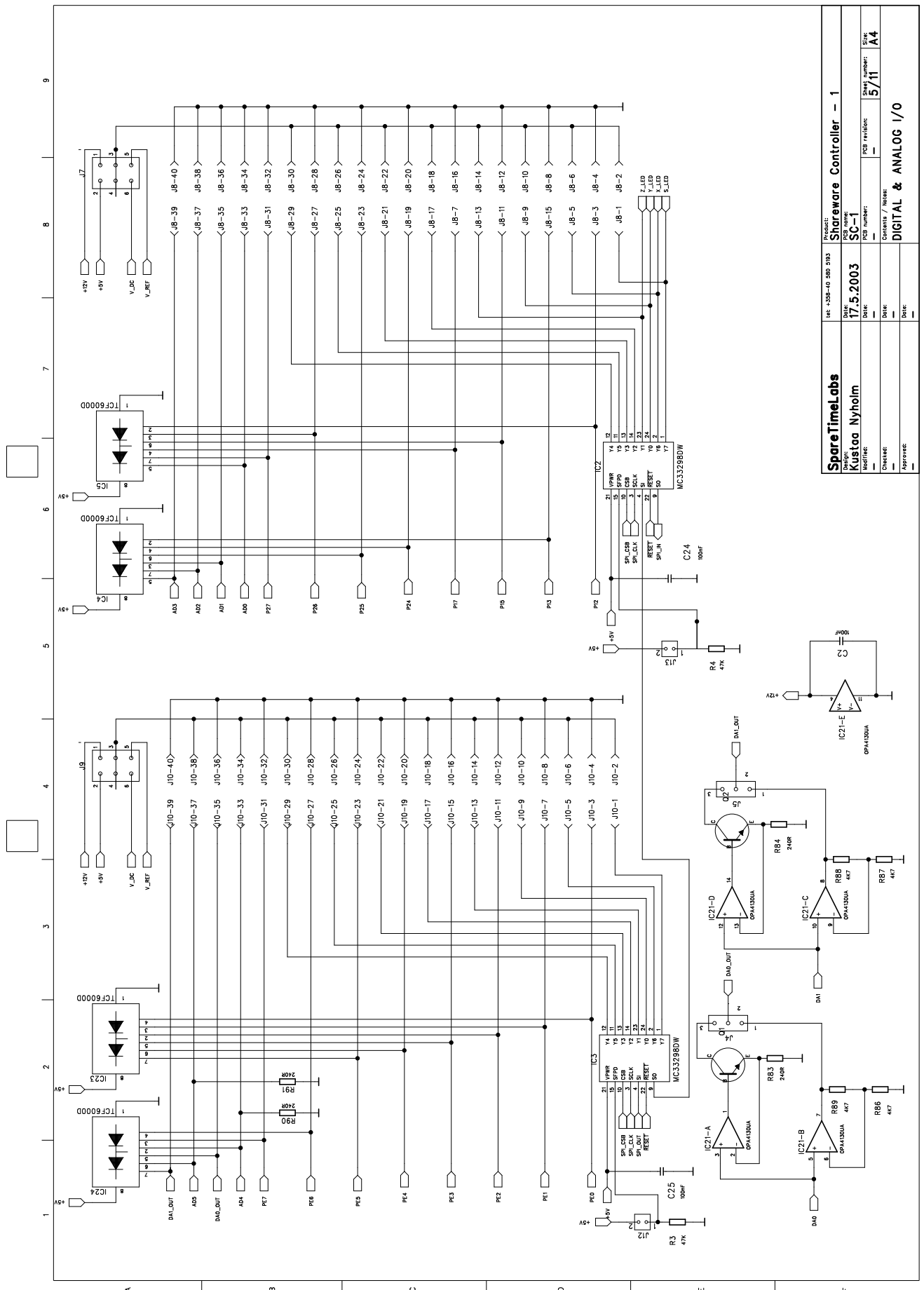
Project: Shareware Controller - 1	
Rev: 4308-10 900 910	Rev: SC-1
Date: 27.5.2003	Date: 27/11
Author: Kustaa Nyholm	Project number: A4
Checked: _____	Rev. number: 1/1
Approved: _____	Contents / Notes: Ethernet



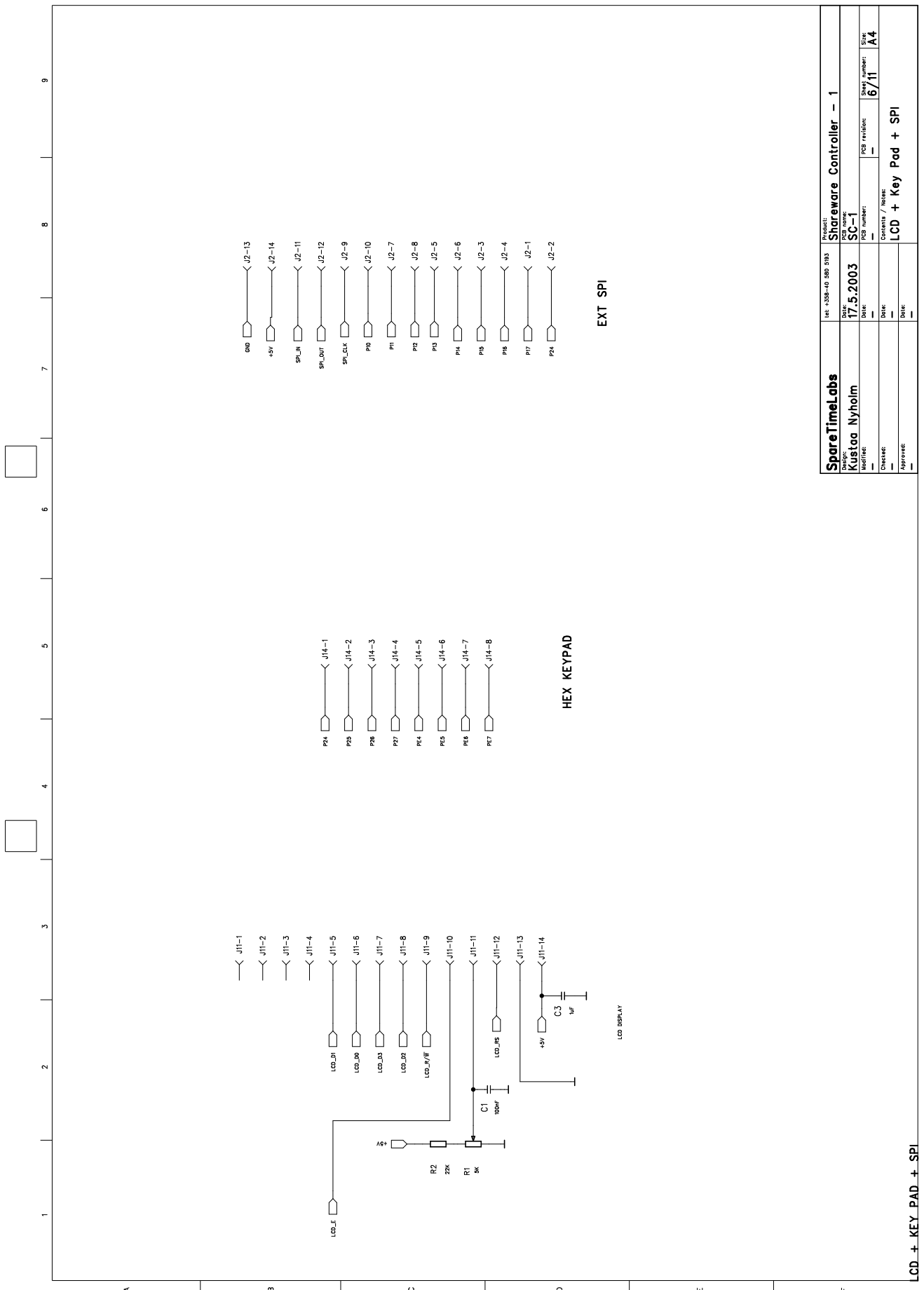
SpareTimeLabs		Part: 3305-10 300 300		Project: Shareware Controller - 1	
Design: Kustaa Nyholm		Date: 17.5.2003		PCB name: SC-1	
Modified:		Date:		PCB number:	
Checked:		Date:		PCB revision: 3/11	
Approved:		Date:		PCB number: A4	
		Comments / Notes:		Power Supply	
		Date:		Date:	
		Date:		Date:	
		Date:		Date:	



SpareTimeLabs		Project: Shareware Controller - 1	
Design: Kustaa Nyholm	Date: 17.5.2003	PCB name: SC-1	PCB number: 4/11
Checked: ---	Date: ---	PCB revision: ---	Rev number: A4
Approved: ---	Date: ---	Comments / Notes: Control I/O	

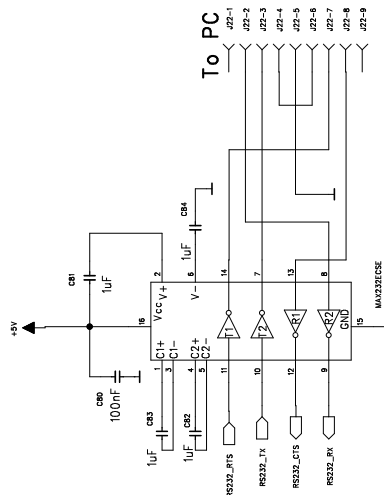
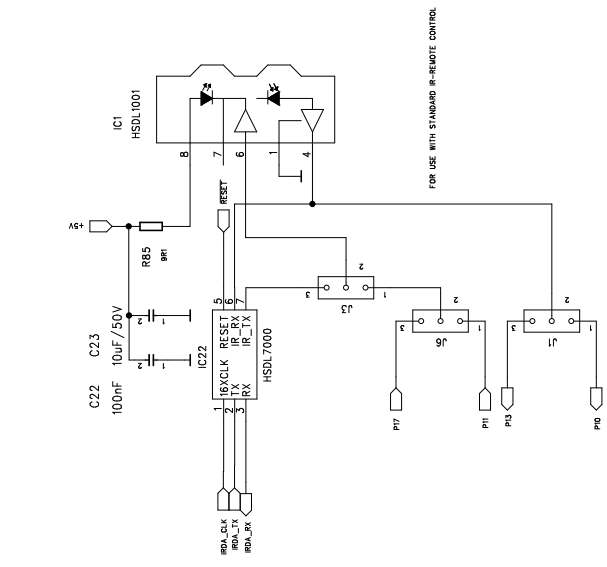


Project: Shareware Controller - 1	
Part: Kustaa Nyholm	PCB name: SC-1
Date: 17.5.2003	PCB number: 5/11
Modified:	PCB revision: 1
Checked:	Quantity / Name: DIGITAL & ANALOG I/O
Approved:	Date:

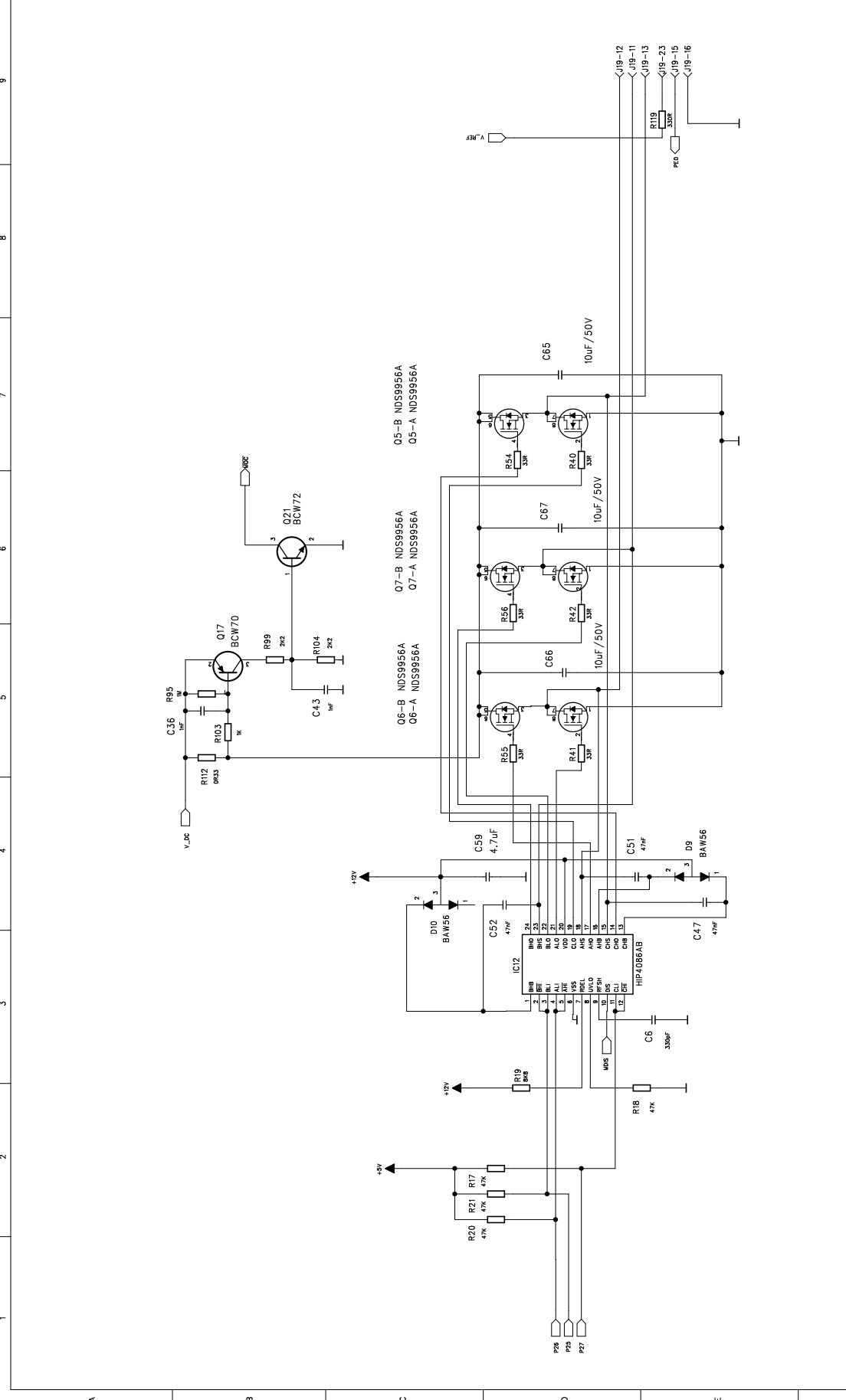


SpareTimeLabs		Part: +358-40 500 503	Project: Shareware Controller - 1
Design: Kustaa Nyholm	Date: 17.5.2003	PCB name: SC-1	PCB number: 6/11
Author:	Date:	PCB revision: —	PCB number: A4
Checked: —	Date: —	Comments / Notes: LCD + Key Pad + SPI	
Approved: —	Date: —		

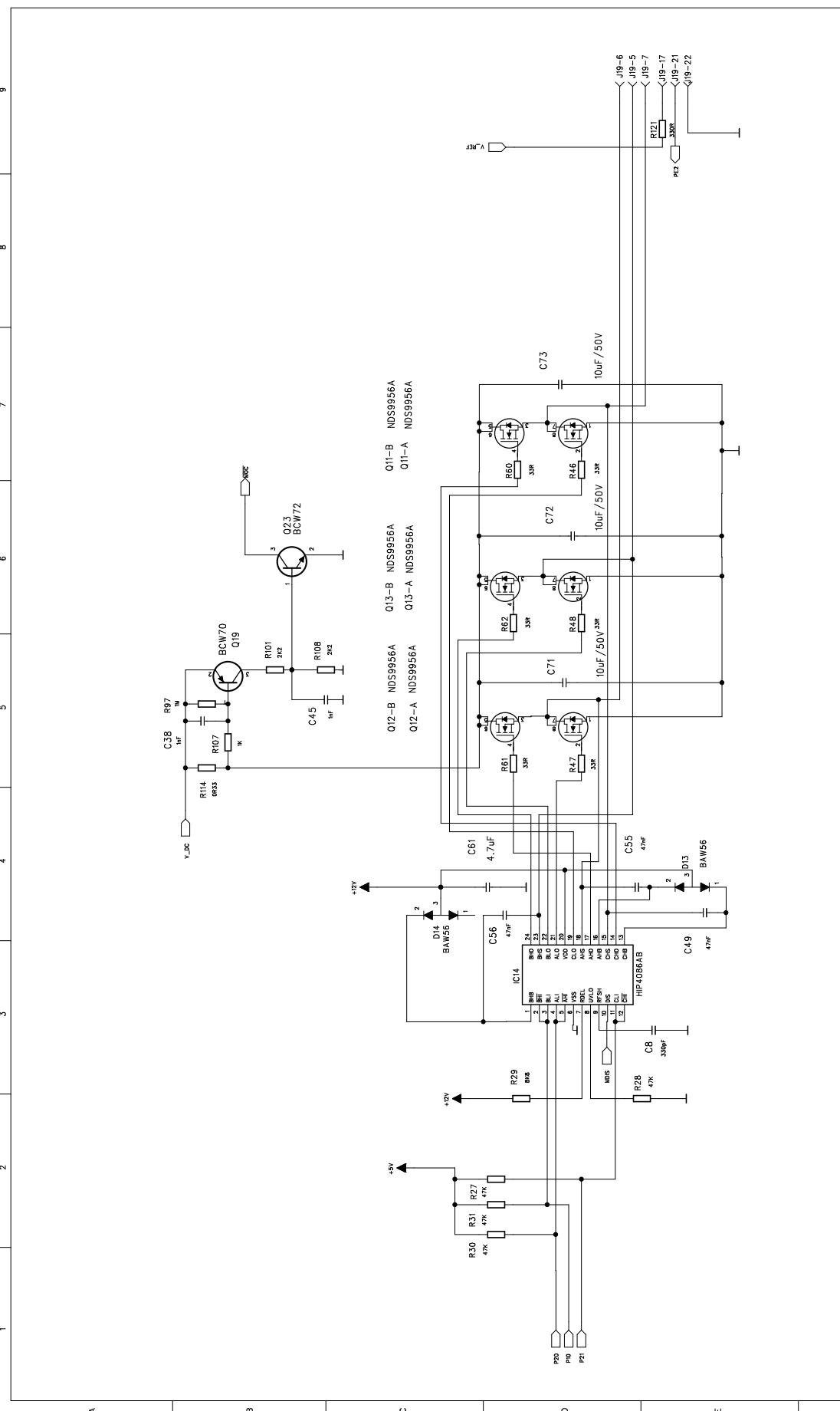
LCD + KEY_PAD + SPI



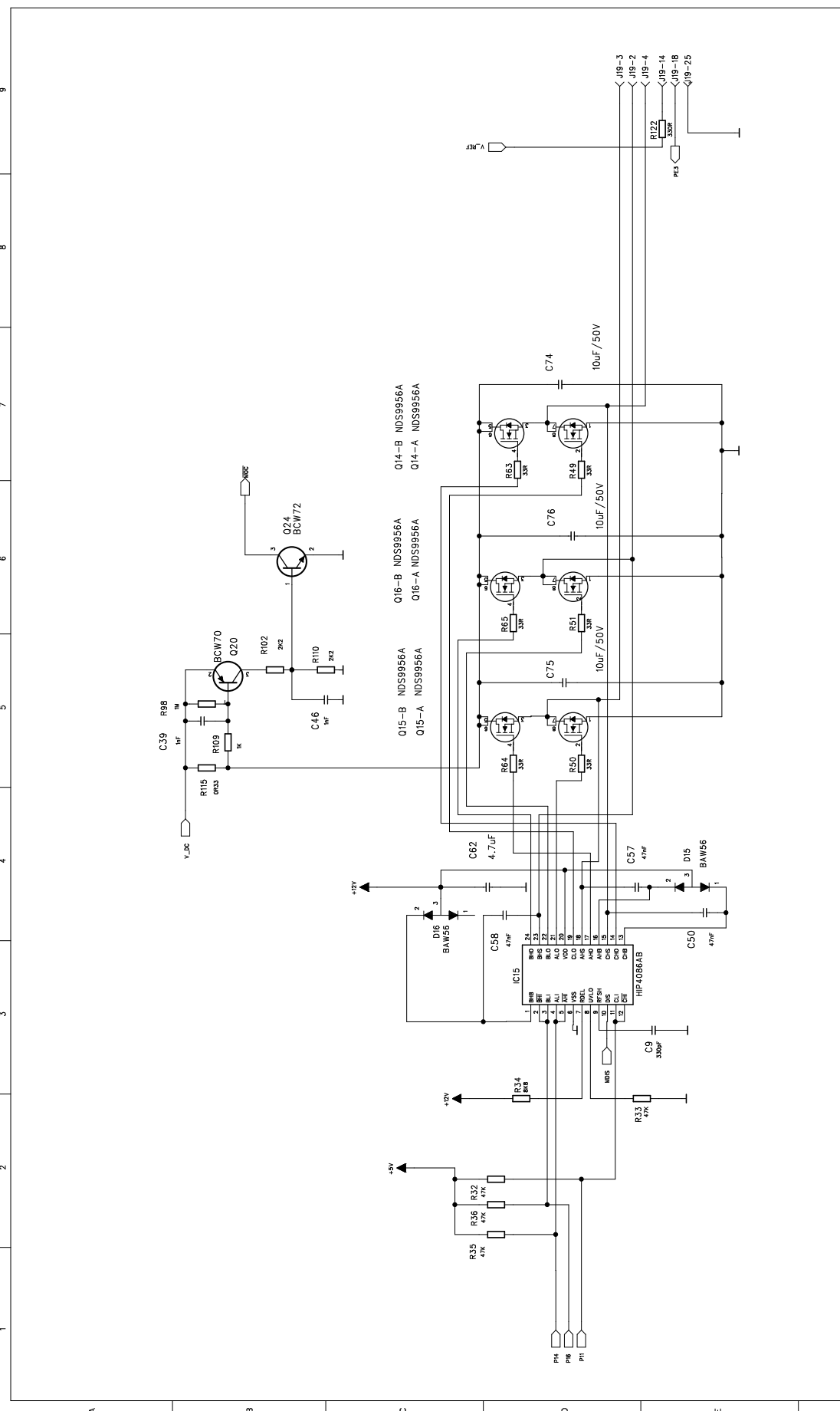
SpareTimeLabs		Project: Shareware Controller - 1	
Part#: Kustaa Nyholm		PCB name: SC-1	
Modified:		Date: 17.5.2003	
Checked:		PCB number: -	
Approved:		Date: 7/7/11	
		Comments / Notes: RS232C + IrDA	



SpareTimeLabs		Part: s338-10 840 393	Project: Shareware Controller - 1
Designer: Kustaa Nyholm	PCB number: SC-1	Date: 17.5.2003	PCB revision: 1
Magnifier: 1x	PCB number: 8/11	Date: 8/11	PCB revision: A4
Checked: ---	Contents / Notes: Motor Drive 1	Date: ---	PCB revision: ---
Approved: ---		Date: ---	



SpareTimeLabs		Lot: s308-10 880 933	Project: Shareware Controller - 1
Design: Kustaa Nyholm	PCB name: SC-1	Date: 17.5.2003	PCB number: 10/11
Magazines: _____	PCB revision: _____	Date: _____	PCB number: 10/11
Checked: _____	Contents / Notes: Motor Drive 3	Date: _____	Drawn: AK
Approved: _____		Date: _____	



SpareTimeLabs		Lot: 5308-10 840 935	Project: Shareware Controller - 1
Design: Kustaa Nyholm	PCB name: SC-1	Date: 17.5.2003	PCB number: 11/11
Manufacturer:	PCB number:	Date:	PCB revision: 4
Checked:	Company / Notes:	Date:	Drawn number: 11/11
Approved:	Motor Drive 4	Date:	Scale: A4

This document was created with Win2PDF available at <http://www.daneprairie.com>.
The unregistered version of Win2PDF is for evaluation or non-commercial use only.